

### 3.400 MM SUCTION BREAST ROLL PAPER MACHINE



Supplier	Beloit
Year	1968
Type	SBR Suction Breast Roll
HDBX	Single layer, Beloit 1992
Press section	Double (SPR + BPR), PMT2008
Yankee	Toscotec SYD 2012
Max speed	1450 m/min
Width total pope	3400 mm in mother reel
Max production	74 t/d average
MG and Tissue paper	12 – 50 gr/m <sup>2</sup>

#### Fibre Section

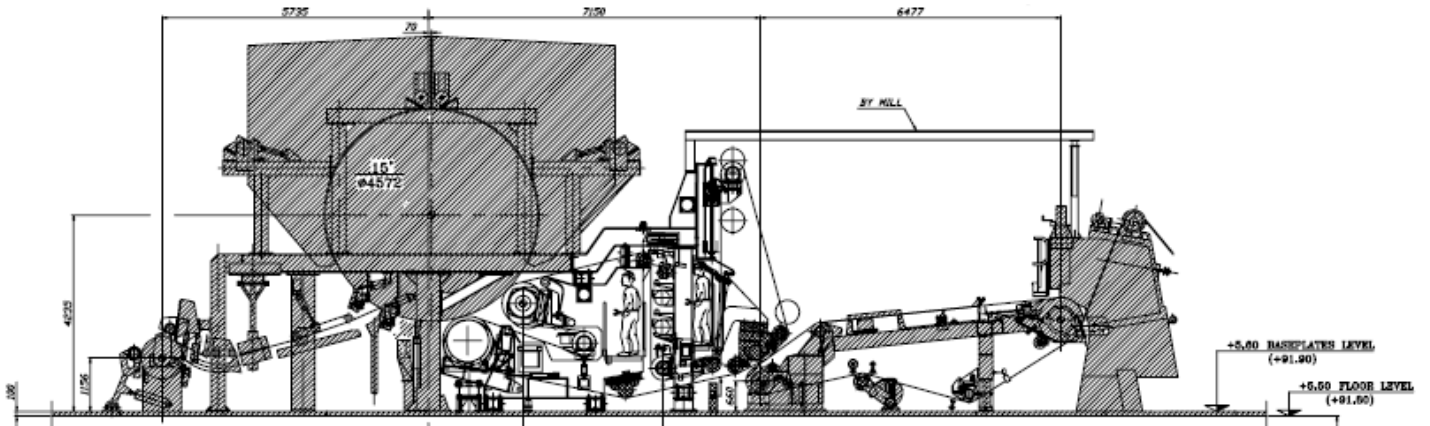
- Pulper 1Tampulping / 2008 Tam Pulper TP12 200 Kw VSD
- Pulper Conveyor
- Refine 1Sunds / 1992 JC 02 315 kW, AC 500V
- Refine 2Beloit / 1968? Jones double D220 kW, AC 500V
- Screen 1Tampella / 1992 TL450AH 75 kW, AC 500V
- Screen 2Tampulping / 2008 Tam Screen 0430 kW, AC 500V
- Disk filter Andritz / 2003 AHLDISC AD3506/05 5,5 kW
- Dust extraction Metso / 2012 Partly used to Pm9



## Vacuum system

- Turbo Blower Ecopump / 2005 Ecopump 315 315 kW, AC 500V
- Vacum pump Ahlström / 1987 904 P2 250 kW, AC 500V
- Vacum pump Ahlström / 1965 CL 3001 160 kW, AC 500V
- Vacum pump Ahlström / 1968 CL 3001160 kW, AC 500V
- Vacum pump Ahlström / 1971CL 3001160 kW, AC 500V





## Paper machine

- Fun Pump ABS / 1992ABS Z22 600/600 75 2X288 kW, AC 500V
- Head box Beloit 1992 single layer SBR
- Suction breast roll diameter Beloit 951 and Metso 956 mm power drive 113 kW DC 400 V
- Felt roll PMT 2008 diameter 516 mm power drive 132 kW DC 400 V
- Suction press roll PMT 2008 diameter 1.066 mm
- Blend press roll PMT 2008 diameters available 904, 899 and 905 mm power drive 315 kW DC 400 V
- Yankee on Iron Toscotec year 2012, diameter 4.572 mm power drive 500 kW DC 400 V doctor creping Lamort
- Complete close hood with burners and blowers
- Pope reel Beloit 1968 power drive 58 kW DC 400 V
- 4 unwind stands rewriter built by Wartsila 1982 and overhauled in 2005

